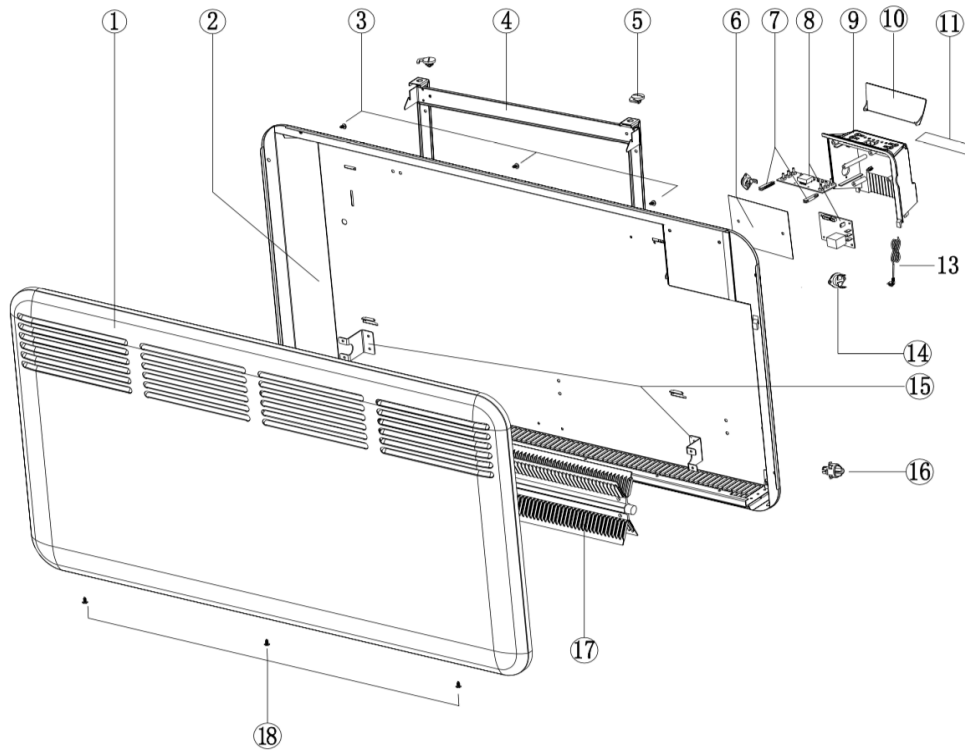


## QUICKFIX



|     |                                |                  |     |
|-----|--------------------------------|------------------|-----|
| 18  | Screws                         | /                | 3   |
| 17  | X-shape heating element        | Aluminum         | 1   |
| 16  | Sensor cover                   | ABS              | 1   |
| 15  | Fix support of heating element | Galvanized sheet | 2   |
| 14  | Thermal cut-out                | /                | 1   |
| 13  | Power cord                     | PVC              | 1   |
| 12  |                                |                  |     |
| 11  | PVC mask                       | PVC              | 1   |
| 10  | Covering plate                 | ABS              | 1   |
| 9   | Control box                    | PP               | 1   |
| 8   | PCB                            | /                | 1   |
| 7   | Limited support for PCB        | PP               | 2   |
| 6   | Board for control box          | Mica             | 1   |
| 5   | Wall Mounted lock units        | POM              | 2   |
| 4   | Wall mounted units             | Galvanized sheet | 1   |
| 3   | Screws                         | /                | 3   |
| 2   | Rear cover                     | SPCC             | 1   |
| 1   | Front cover                    | SPCC             | 1   |
| No. | Name in EN                     | Material         | Qty |