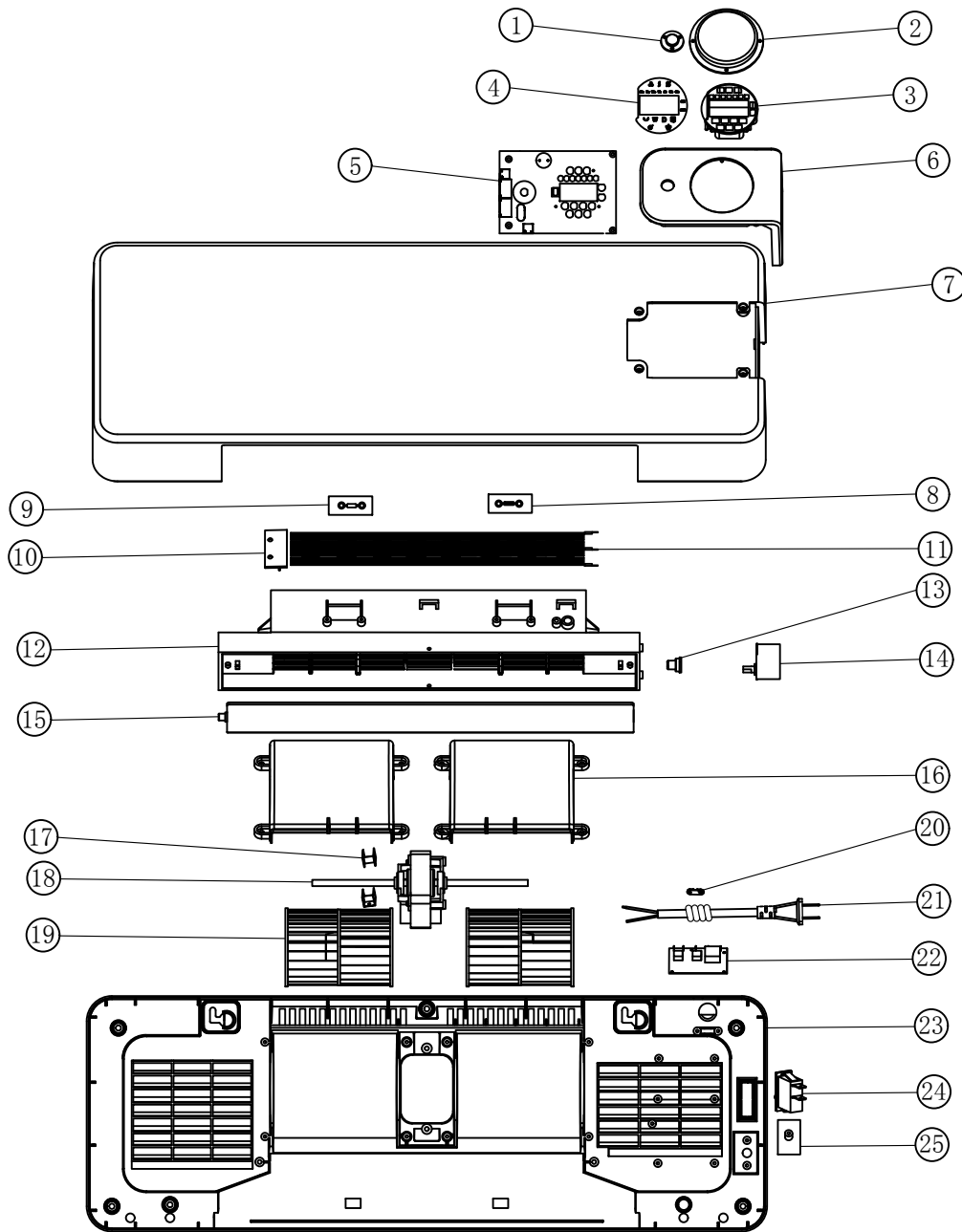


CERO 541101 SUPRO



25	020200195	one touch button		1
24	020100060	Power switch	XM1-15 AC250V 16A 1E4 T125 POWER	1
23	020200216	Base	ABS	1
22	020100191	PCB (main power)		1
21	020200543	Power plug	H05VV-F 2*1.0mm ²	1
20	020200097	Fixed plate for power supply cord	PP	1
19	020200218/314	Wind wheel	PP	2
18	020200447	Fan motor	YJ48-20 AC 220-240V 50/60Hz	1
17	020200592	The motor bracket		2
16	020100313	Wind wheel cover	PP	2
15	020200372	Louver	PC	1
14	020100001	DC motor	28BYJ48A 12DC Class120 Lead length: 300mm	1
13	020200215	Locating ring for DC motor	PC	1
12	020200213	air outlet	PA	1
11	020100119	PTC heating element	240*44*15 BEILIGE PTC-D AC220-240V 50/60Hz 2000W	1
10	020200324	PTC fixer	PA	1
9	020100073	thermal fuse	QLF96 AC250V 16A tf98°	1
8	020100081	thermostat	CH-005 AC120-250V 16A tf70°	1
7	020200209	front cover	ABS	1
6	020200210	Control panel	ABS	1
5	020100191	PCB(Control panel)		1
4	020200046	PVC sticker	PVC	1
3	020200219	inner screen	ABS	1
2	020200211	Display window	AS	1
1	020200212	Lampshade	ABS	1
NO:	Material coding	Material name	Specification	QTY

Exploded Views

Make				Edition	A
EAV				revised date	