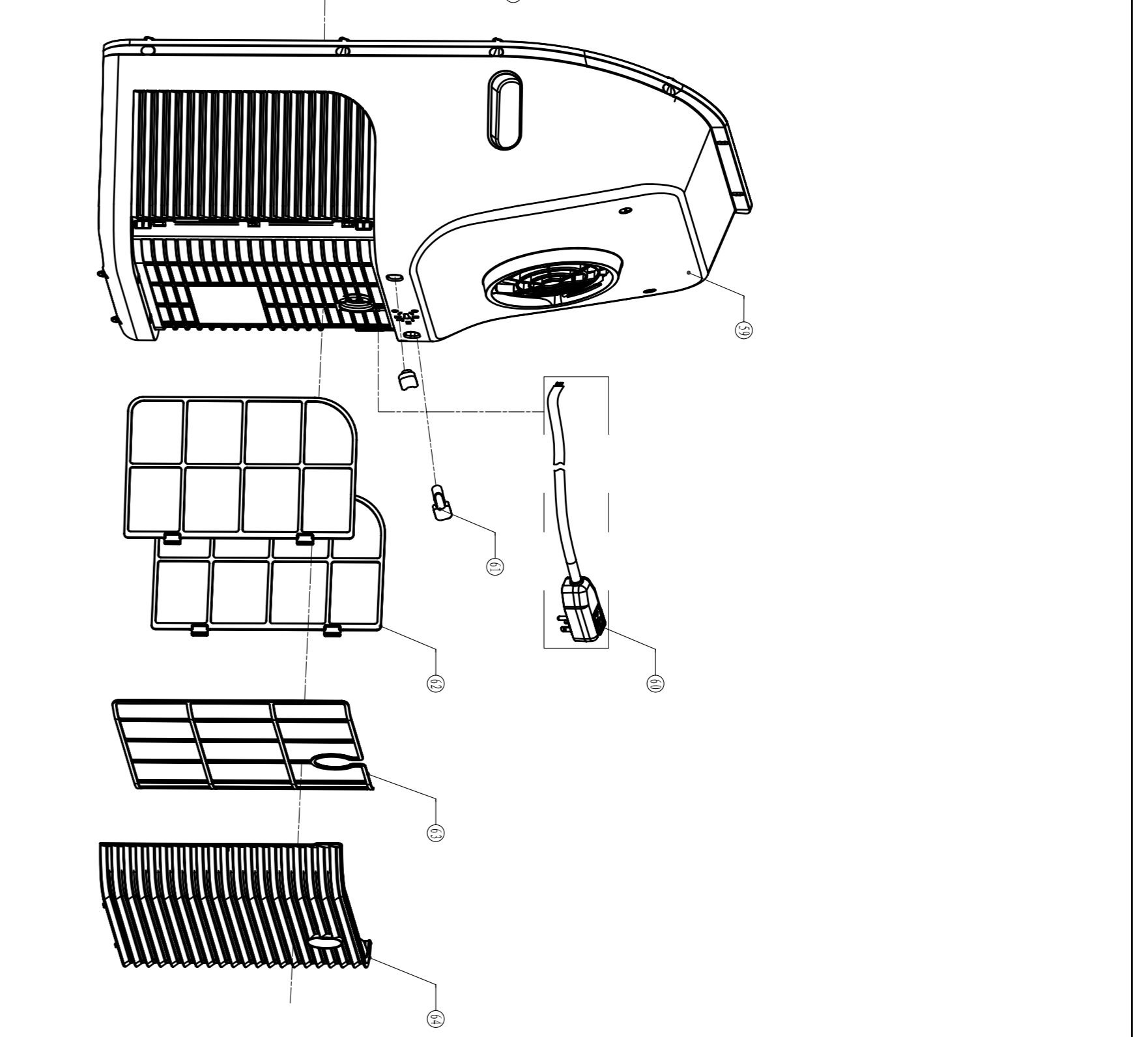
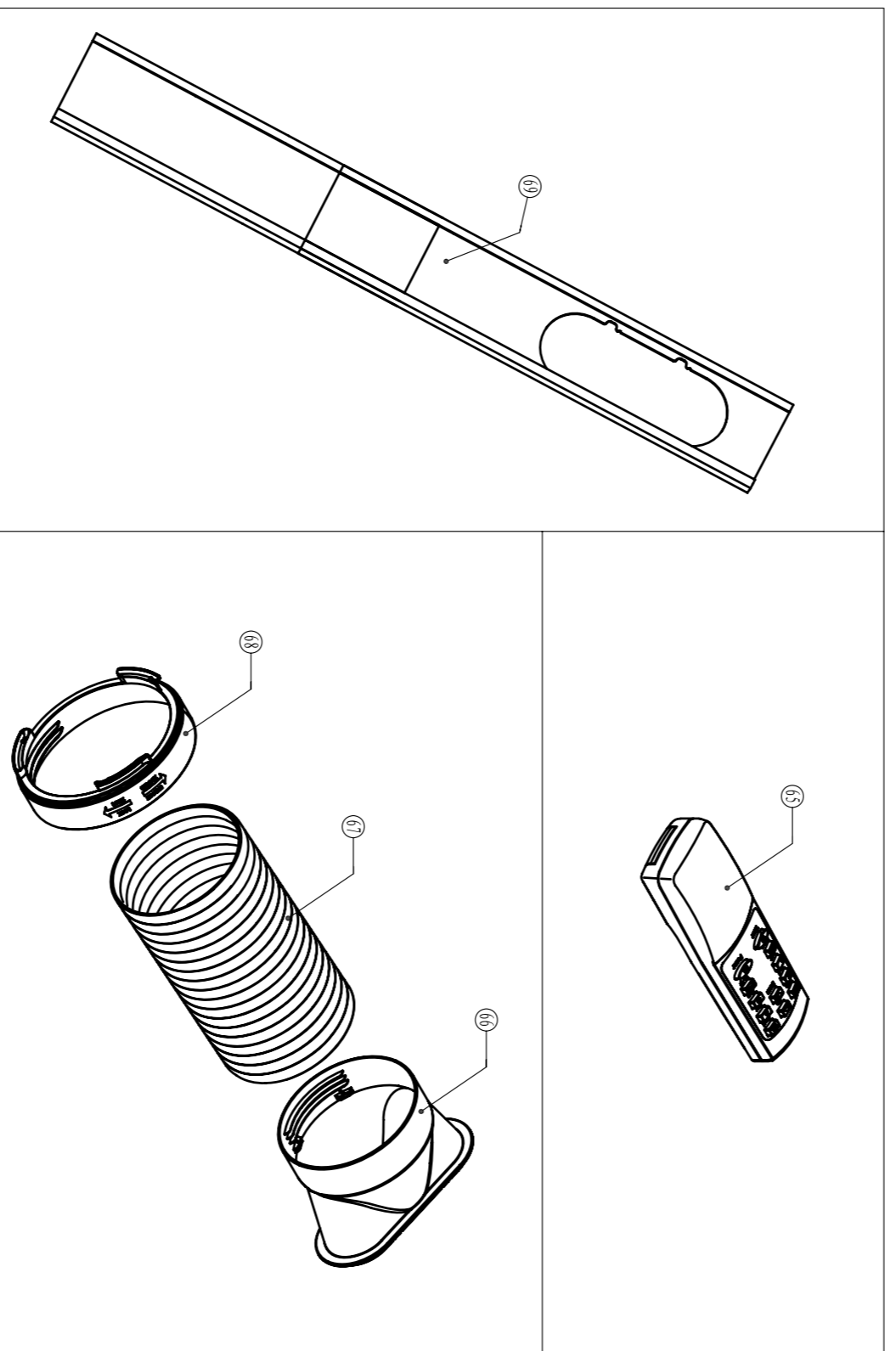


Num	Name	Qty	Material	Remark
70				
69	Window sealplate assembly	1	PVC	
68	Air exhaust joint	1	ABS	
67	Air exhaust hose	1	PVC+steel wire	
66	Air exhaust flat nozzle	1	ABS	
65	Single cooling remote control	1		determined as required by customers
64	Air-inlet grille	1		
63	Strainer (big)	1		
62	Strainer (small)	2		
61	Power line hook	2		
60	General power line	1		
59	Rear panel	1		
58	Compressor capacitor	1		
57	Capacitance card	1		
56	Fan capacitor	1		
55	Sensor assembly	1		
54	Cover of electric control box	1		
53	Transformer	1		
52	Electric control mainboard	1		



Num	Name	Qty	Material	Remark
51	Isolating column	4	Flame retardant pp	
50	Electric control box	1		
49	Air dust diaphragm	1	ABS	
48	Electric control display panel	1		
47	Control panel	1	ABS	
46	Display panel face film	1		determined as required by customers
45	Air deflecting strip (upper)	1	ABS	
44	Air deflecting strip (middle)	1	ABS	
43	Air deflecting strip (lower)	1	ABS	
42	Support strip	1		
41	Front panel	1	ABS	
40	Shaft sleeve	3	PPM	
39	Driven rocker	3	PPM	
38	Connecting rod of air deflecting strip	1	PPM	
37	Spring motor base	1	ABS	
36	Step motor	1		
35	Driving rocker	1	PPM	
34	Air outlet foam	1	EPS	
33	Safety net	1	PP	
32	Coil card	1		
31	Evaporator assembly	1		
30	Slide plate of two devices (right)	1		
29	Slide plate of two devices (left)	1		
28	Strainer	1		
27	Capillary tube	2		
26	Condenser assembly	1		
25	Air outlet foam	1	EPS	
24	Water pan cover	1	ABS	
23	DC water motor	1		
22	Motor base	1	ABS	
21	Pumping wheel	1	ABS	
20	Water level switch	1		
19	Water pan	1	ABS	
18	Water plug	1	Rubber	
17	Power line card	1		
16	Air exhaust motor (E)	1	ABS	
15	Air duct (right)	1	AS+SGP	
14	Air wheel	1	ABS	
13	Air duct (left)	1	ABS	
12	Air suction pipe dumping rubber	1	Rubber	
11	Air suction pipe	1		
10	Compressor bushing	1	Rubber	
9	Compressor cable assembly	1		
8	Exhaust pipe dumping rubber	1	Rubber	
7	Exhaust pipe	1		
6	Compressor	1		
5	Nut	3	M8	
4	Melon shape gasket	3	galvanized plate	
3	Compressor foot pad	3		
2	Chassis	1	(China:174)ABS	determined as per compressor model
1	Universal wheel	4	Back (new material)	