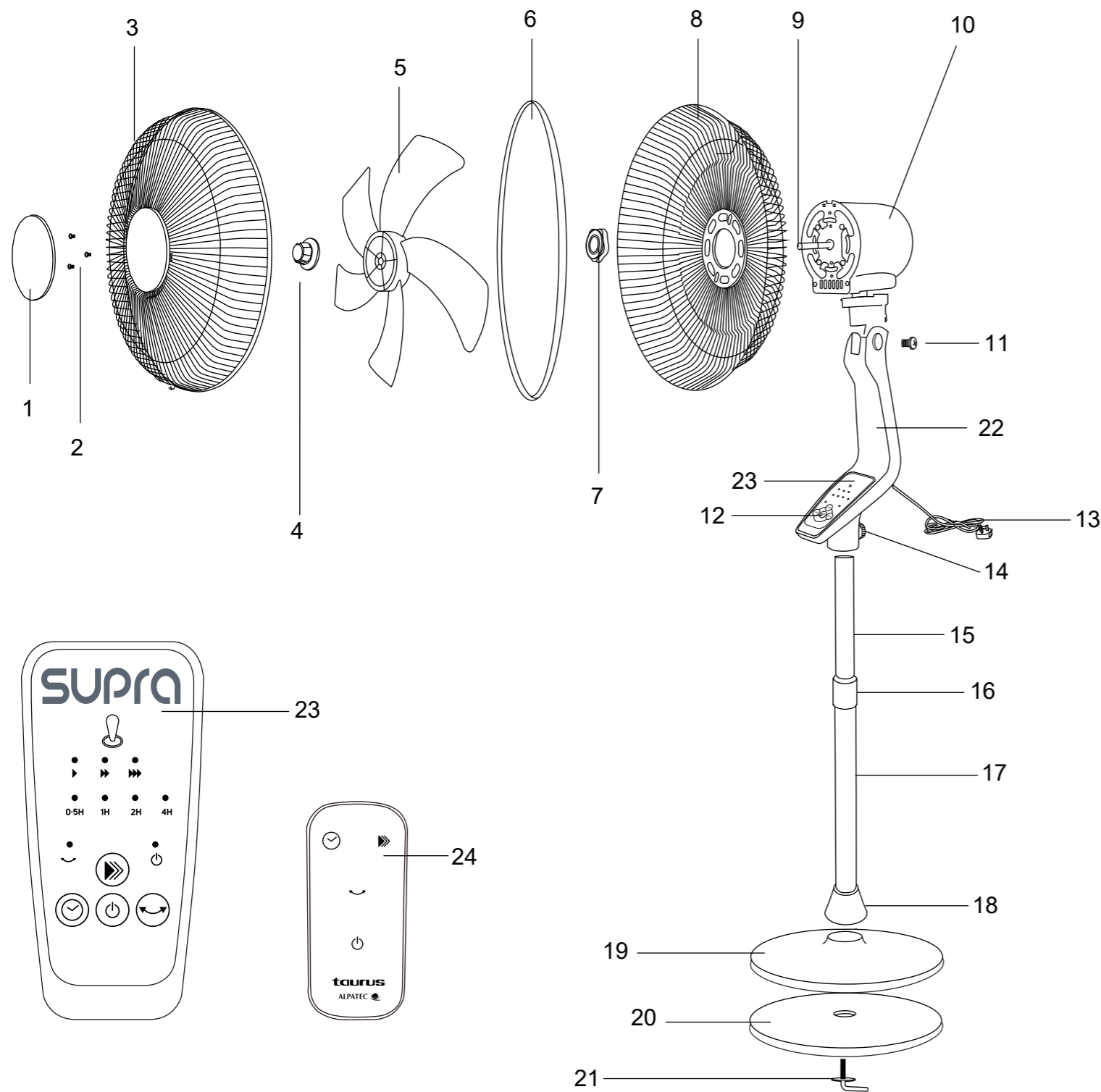


## Description of parts



Code	Name	Material	Number
1	grille cover	PP	1
2	screws	iron	3
3	front grille	iron	1
4	blade retaining nut	PP	1
5	blade	PP	1
6	grille ring	PP	1
7	grille mounting nut	PP	1
8	rear grille	iron	1
9	motor and spindle	iron	1
10	motor housing	PP	1
11	pivot screw	iron	1
12	control pannel	ABS	1
13	prower cord	PVC	1
14	pole retaining screw	iron	1
15	adjustable pole	iron	1
16	pole clamp	PP	1
17	lower base pole	iron	1
18	screw cover	PP	1
19	base plate	PP	1
20	base weight	PP	1
21	L-screw	iron	1
22	fan body	PP	1
23	PVC sticker	PVC	1
24	remote control	PP	1

